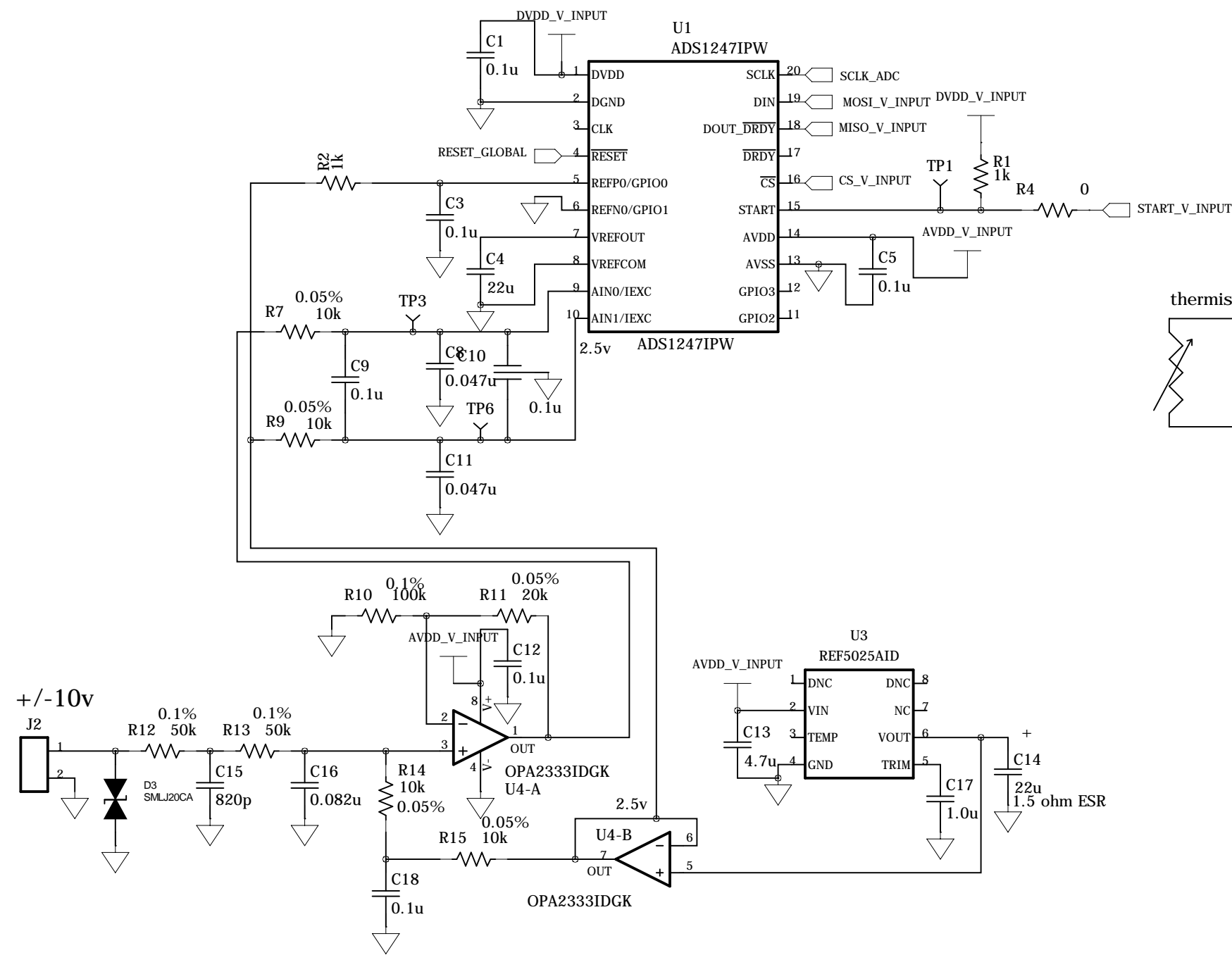
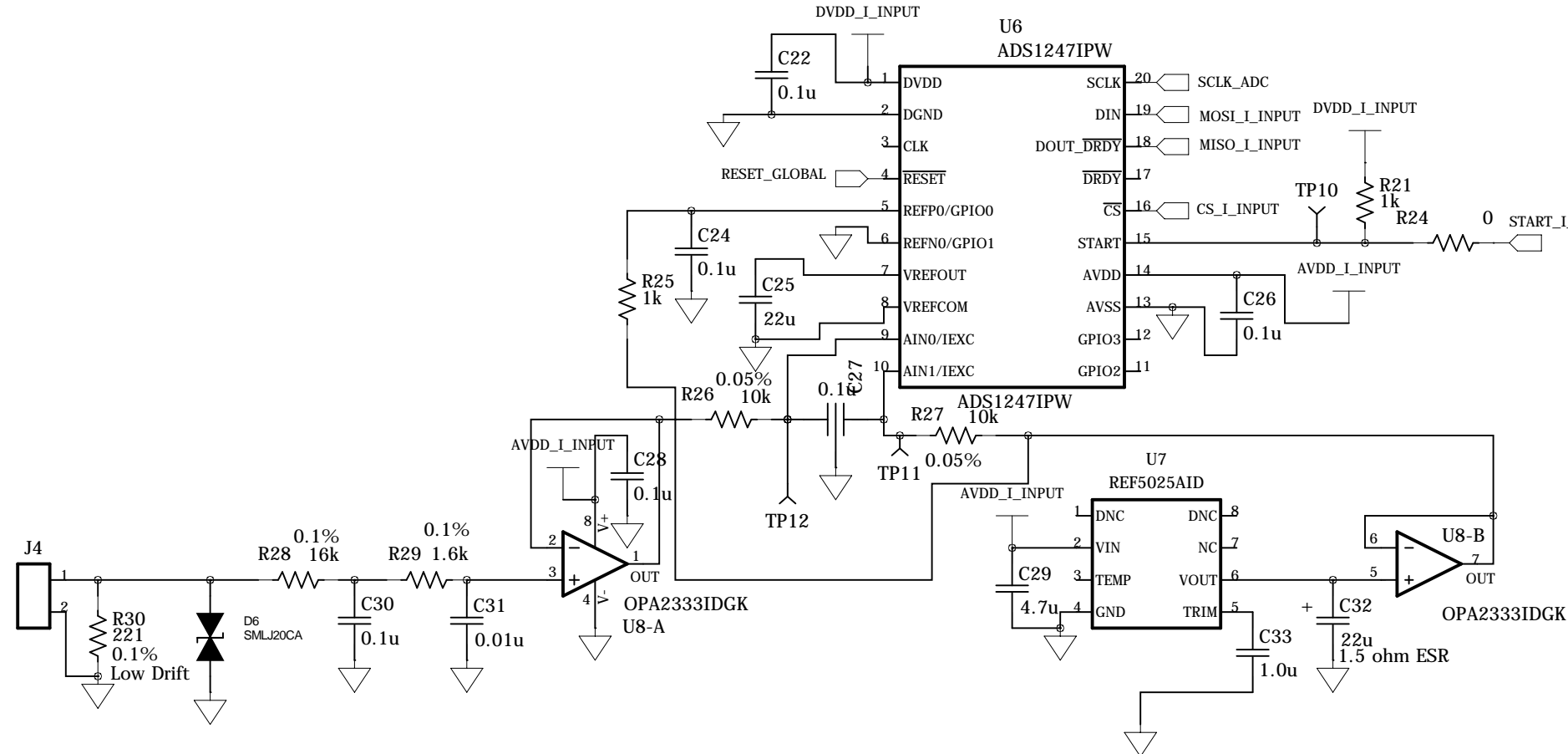


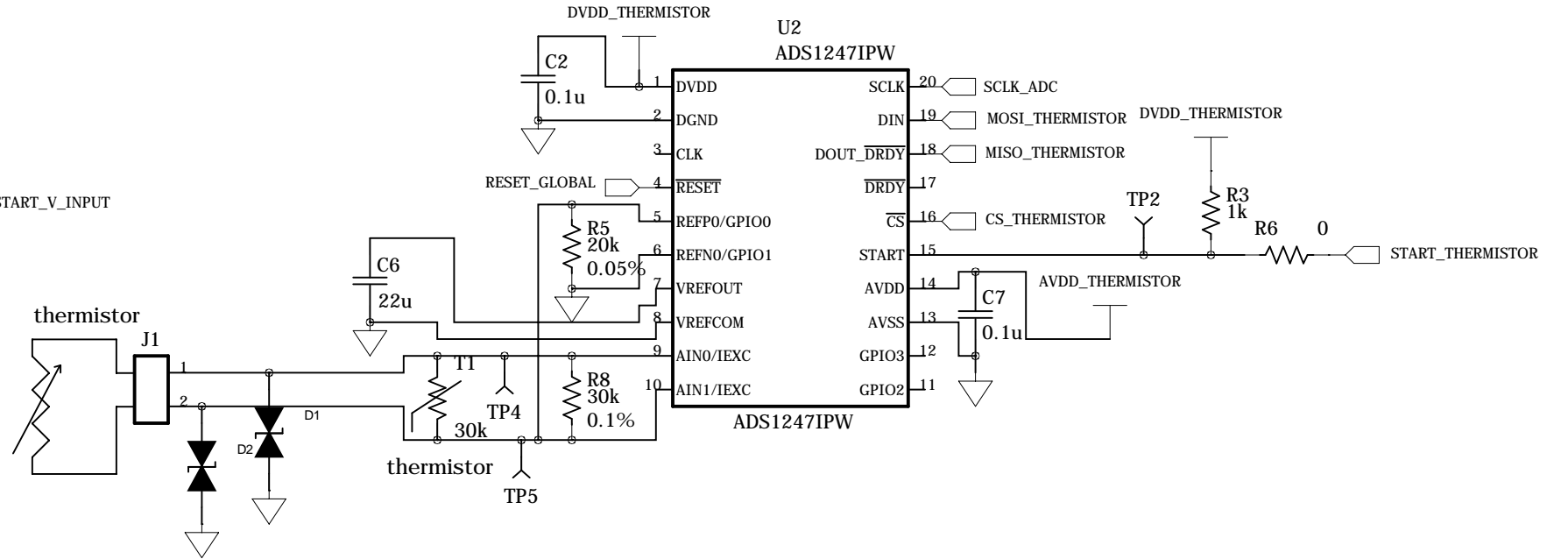
# Universal Input +/- 10v



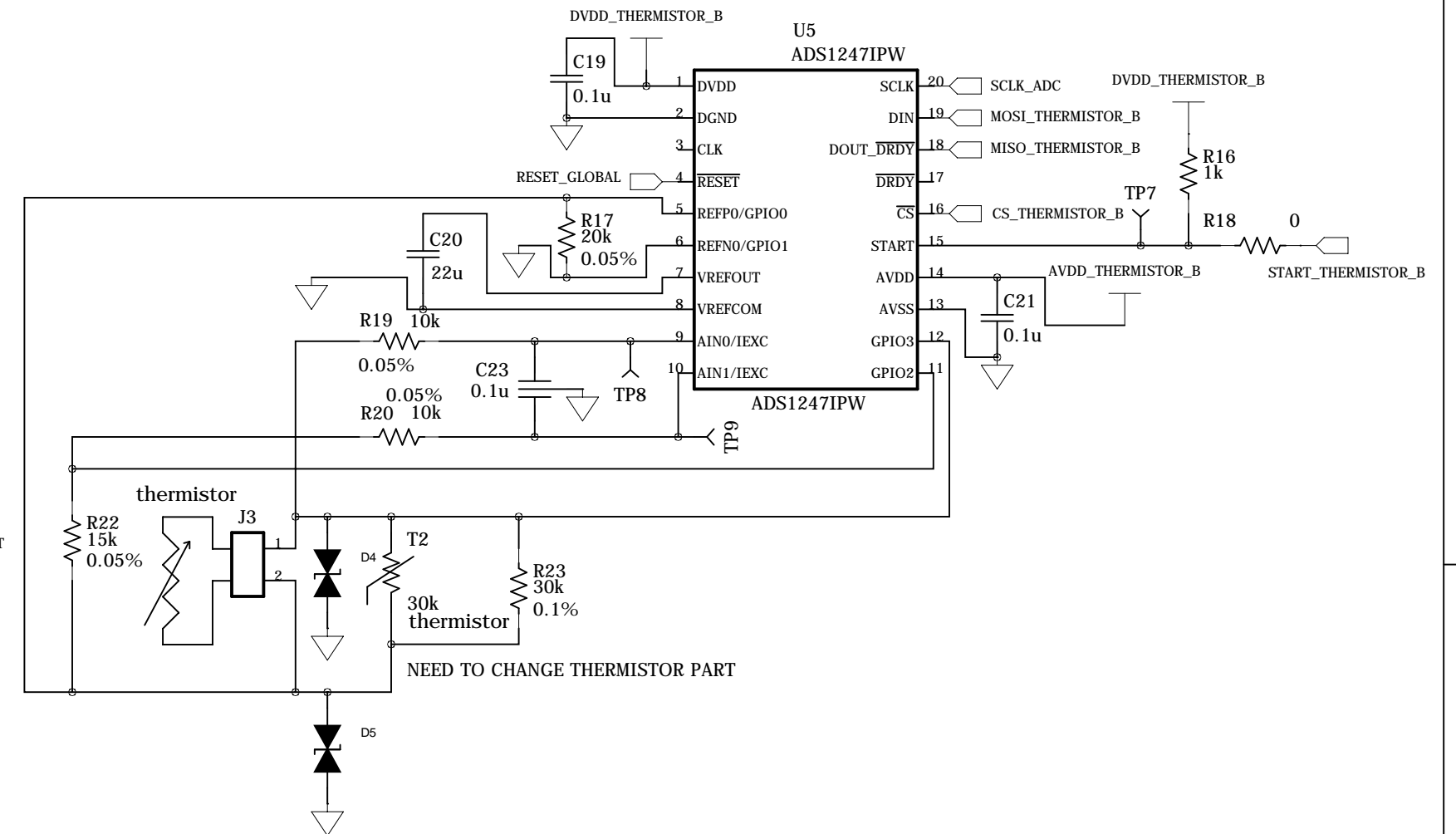
# Universal Input 4-20 mA



# Thermistor Front-end



# Thermistor B Front-end



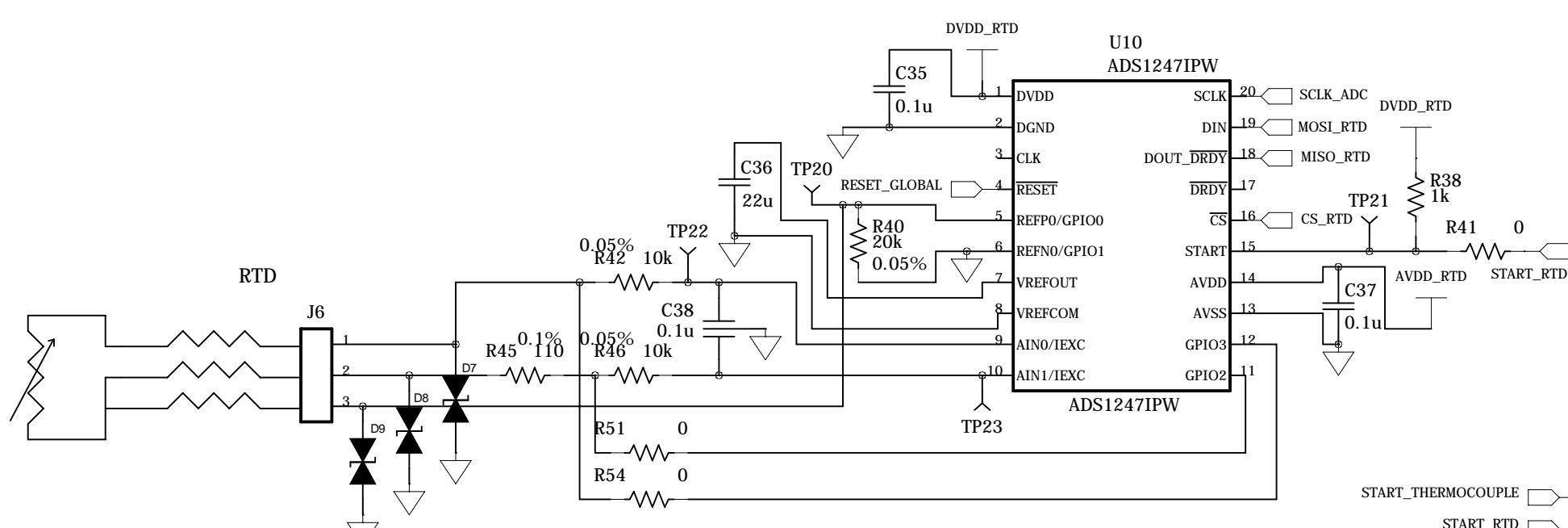
Texas Instruments

Title			
<b>PLC Front End</b>			
Size	Number	Rev	
C	<Number>	A	
Date	07/14/2011	Drawn by Curtis Mayberry	
Filename	PLC_Front_End.sch	Sheet	1 of 2

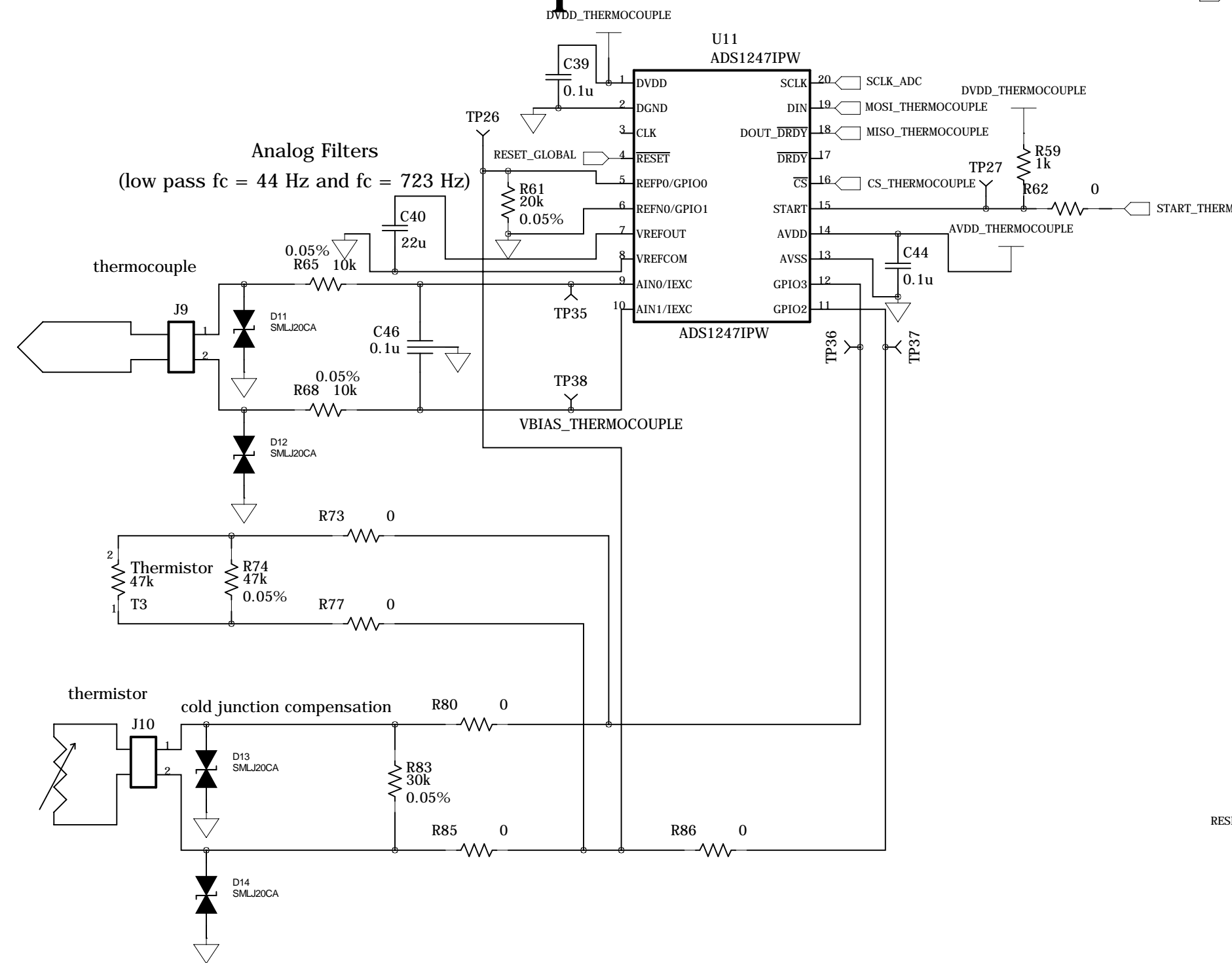
Engineer Curtis Mayberry

7/22/2011

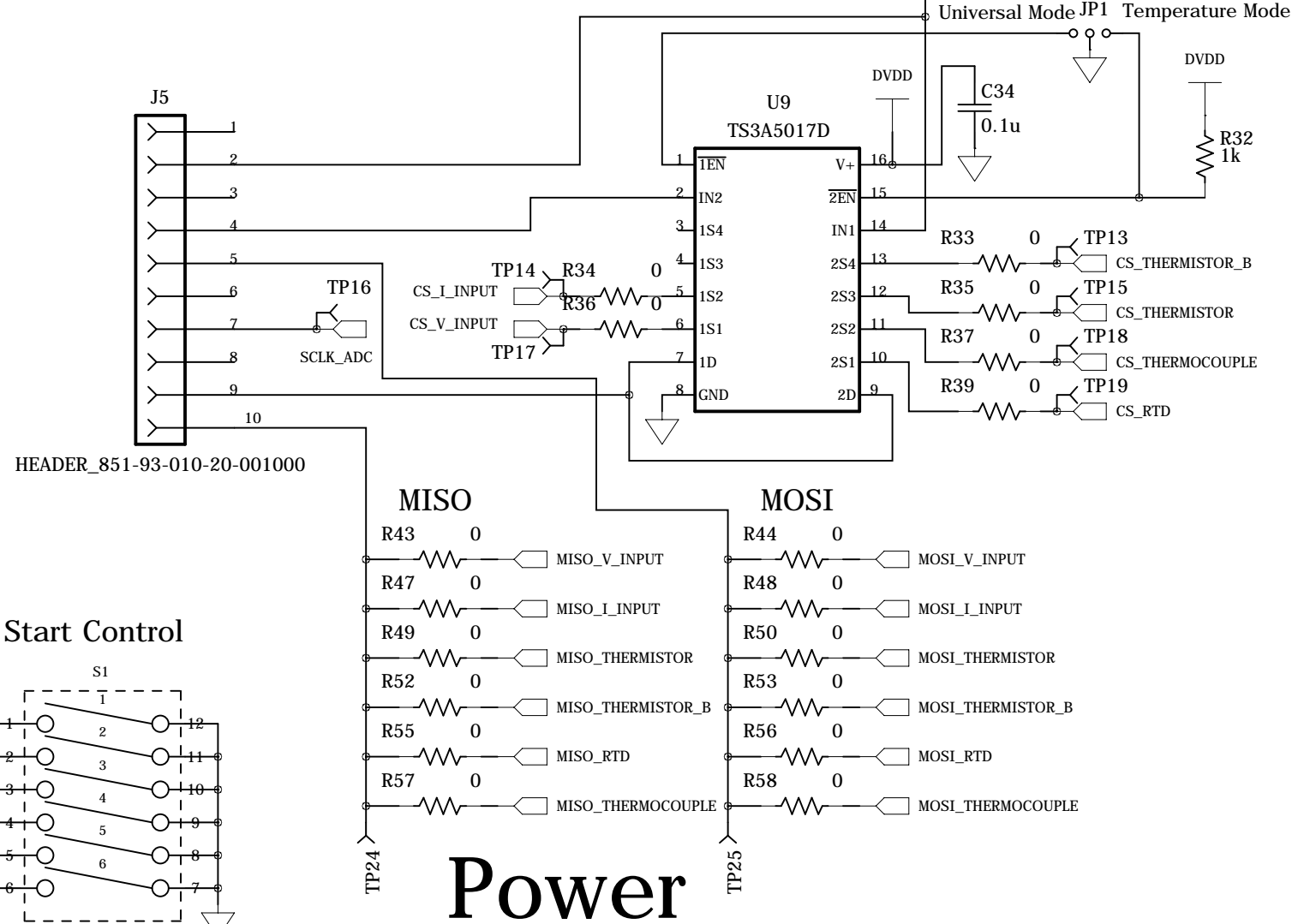
# RTD Front-end



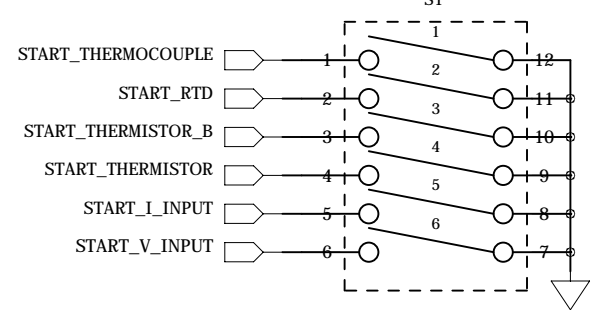
# Thermocouple Front-end



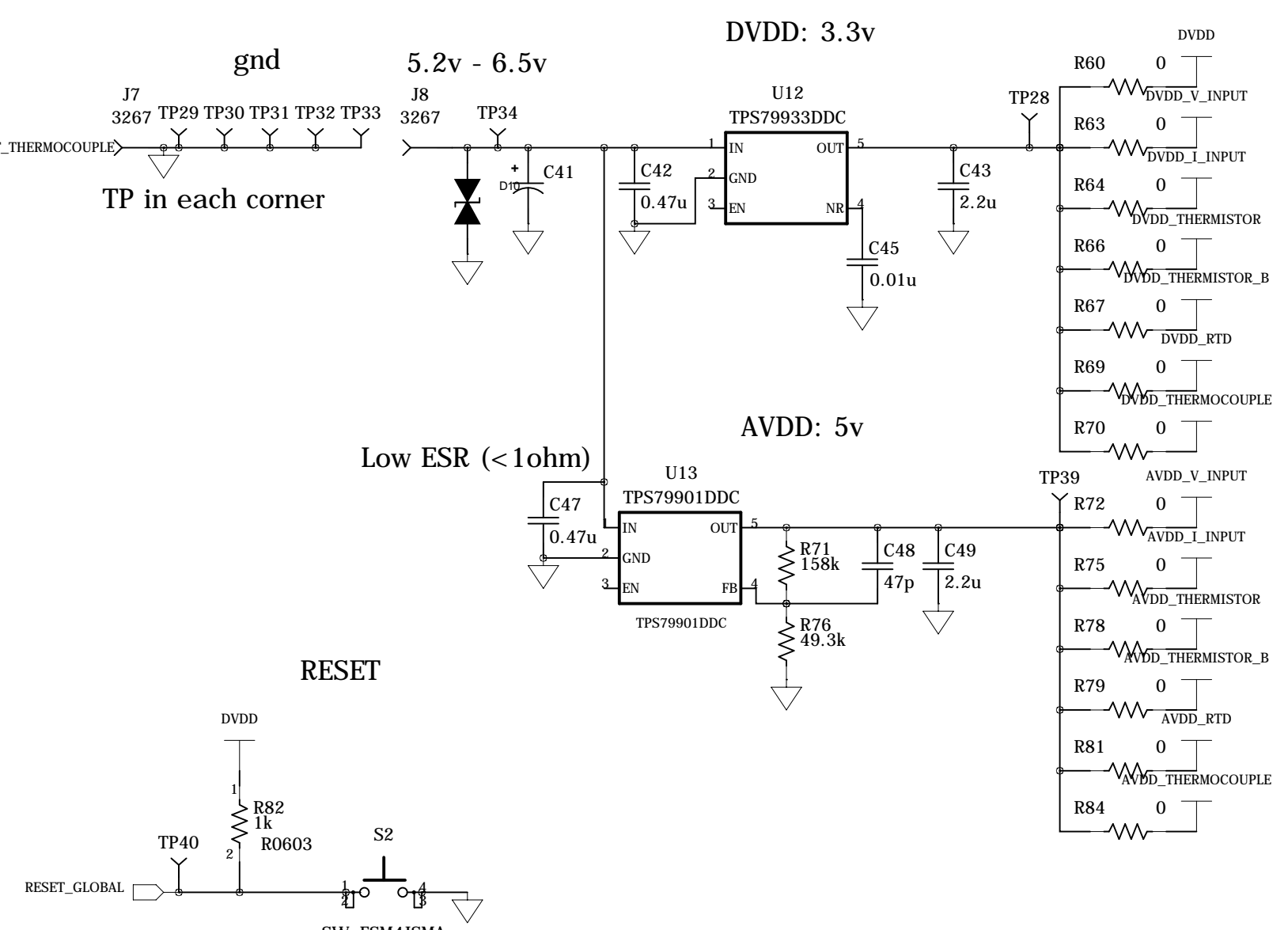
# Interface



# Start Control



# Power



Size	C	Number	Texas Instruments	Rev	A
Date	07/14/2011	Drawn by	Curtis Mayberry		
Engineer	Curtis Mayberry	Filename	PLC_Front_End.sch	Sheet	2 of 2

7/22/2011